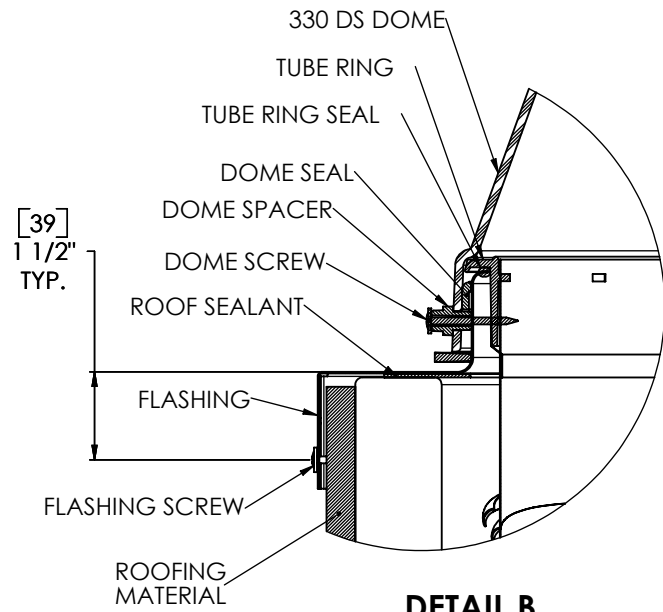
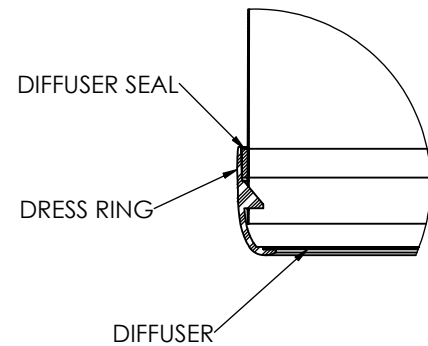


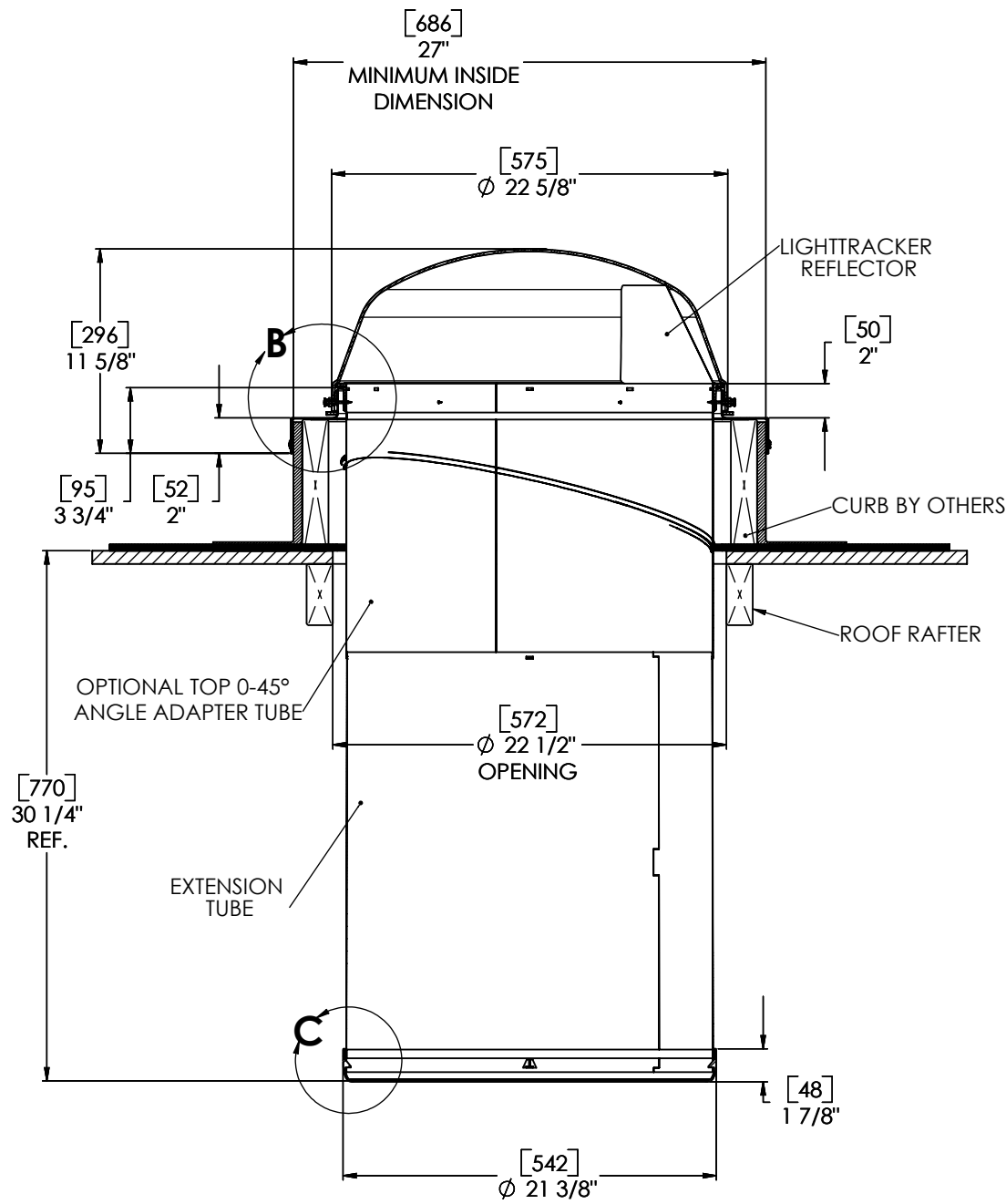
**SOLATUBE 330 DS-O
(21 IN / 530 MM)
CURB CAP
OPEN CEILING**



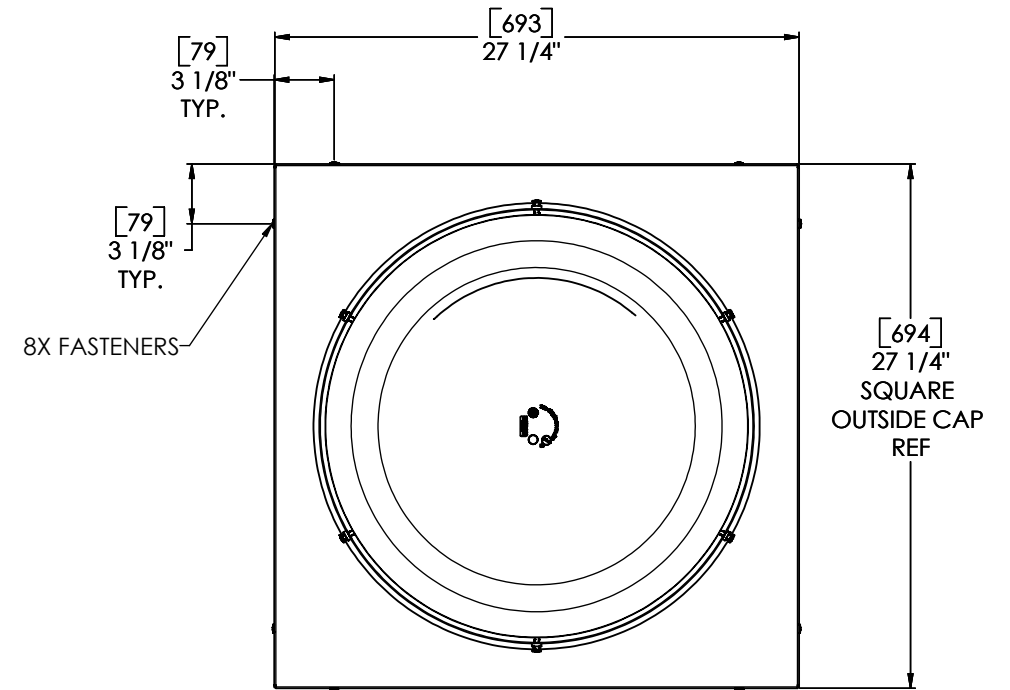
**DETAIL B
SCALE 3 : 1**



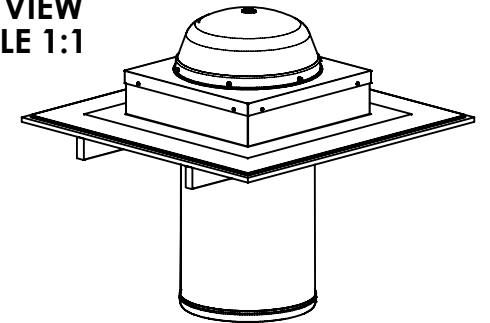
**DETAIL C
SCALE 3 : 1**



**FULL SECTION
SCALE 1:1**



**TOP VIEW
SCALE 1:1**



NOTES:

1. STRUCTURAL ELEMENTS (PLYWOOD, RAFTERS, DRYWALL ETC.) BY OTHERS & SHOWN FOR REFERENCE ONLY.
2. ALL TUBE JOINTS & SEAMS TAPED WITH 2" FOIL TAPE (NOT SHOWN).
3. DIMENSIONS IN BRACKETS ARE METRIC UNLESS OTHERWISE SPECIFIED.
4. 6" MIN CLEARANCE SHOULD BE MAINTAINED FROM ALL SOLATUBE COMPONENTS AND OTHER PLENUM COMPONENTS.

UNLESS OTHERWISE SPECIFIED: DIMENSIONS ARE IN INCHES TOLERANCES: ANGULAR: ±0.5° X ± .1 .XX ± .02 .XXX ± .005		SOLATUBE INTERNATIONAL, INC. COPYRIGHT 2011 WWW.SOLATUBE.COM		 2215 OAK RIDGE WAY VISTA, CALIF. 92081-6341 PH (760) 597-4400	
MATERIAL	DRAWN BY STEVENS	DATE 7/1/08	TITLE 330 DS-O CURB CAP OPEN CEILING		
FINISH	CHECKED BY	DATE	SIZE	DWGS. NO.	REV.
DO NOT SCALE DRAWING	APPROVED BY	DATE	SCALE: 1:1	WEB-330-CF-OC 2	
			SHEET 1 OF 1		