



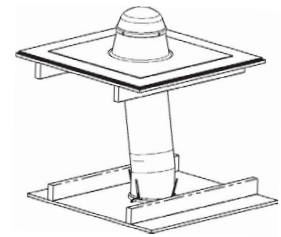
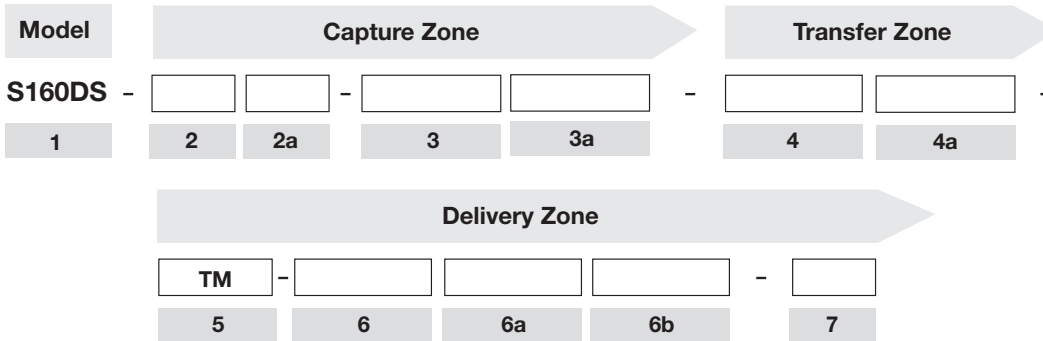
# Model: Solatube 160 DS Square (10 in/250 mm Daylighting System)

Project: \_\_\_\_\_

Location: \_\_\_\_\_

Type: \_\_\_\_\_

Product Specifications Appear in CSI Division 08, Section 08 62 23. For budgeting and quotations use only. Qty: \_\_\_\_\_



## 1 Model

**160 DS Brighten Up®** Solatube 160 DS (10 in/250 mm Daylighting System)

### Capture Zone

## 2 Domes

**DA** Acrylic Dome      **DAI** Acrylic Dome + Shock Inner Dome (Acrylic)  
Required for High Velocity Hurricane Zones

## 2a Dome Options (Leave blank if not desired)

**PB** Dome Edge Protection Band      **FG** Rooftop Fire Glazing  
Required for High Fire Zones

## 3 Flashings

<b>FP</b> 4 in. (102 mm) Pitched Metal, Self Mounted		<b>F4</b> 4 in. (102 mm) Flat/No Pitch Metal, Self Mounted		<b>F6</b> 6 in. (152 mm) Flat/No Pitch Metal, Self Mounted	
<b>FPT</b> 4 in. (102 mm) Tile Roof, Pitched Metal Flashing		<b>FT</b> 4 in. (102 mm) Tile Roof, No Pitch Metal Flashing			

## 3a Flashing Options (Leave blank if not desired)

<b>T2*</b> Roof Flashing Turret Extension 2 in/51 mm	<b>T36*</b> Roof Flashing Turret Extension 36 in/914 mm
<b>T4*</b> Roof Flashing Turret Extension 4 in/102 mm	<b>T48*</b> Roof Flashing Turret Extension 48 in/1219 mm
<b>T12*</b> Roof Flashing Turret Extension 12 in/305 mm	<b>FI</b> Flashing Insulator
<b>T24*</b> Roof Flashing Turret Extension 24 in/610 mm	<b>MR</b> Metal Roof Installation Kit

\* Specify additional extension tubes in #4

## Transfer Zone

### 4 Extension Tubes Required

Run measured from top of roof deck to bottom of ceiling plane along centerline of tubing.

- |  |  |
|--|--|
| <b>E0</b> Base Kit, No Extension Tubes – Max Run = 22 in. (559 mm) | <b>E7</b> Seven Extension Tubes – Max Run = 176 in. (4470 mm)      |
| <b>E1</b> One Extension Tube – Max Run = 44 in. (1118 mm)          | <b>E8</b> Eight Extension Tubes – Max Run = 198 in. (5029 mm)      |
| <b>E2</b> Two Extension Tubes – Max Run = 66 in. (1676 mm)         | <b>E9</b> Nine Extension Tubes – Max Run = 220 in. (5588 mm)       |
| <b>E3</b> Three Extension Tubes – Max Run = 88 in. (2235 mm)       | <b>E10</b> Ten Extension Tubes – Max Run = 242 in. (6147 mm)       |
| <b>E4</b> Four Extension Tubes – Max Run = 110 in. (2794 mm)       | <b>EXX</b> Total Run Length to be Determined by Bidding Contractor |
| <b>E5</b> Five Extension Tubes – Max Run = 132 in. (3353 mm)       |  |
| <b>E6</b> Six Extension Tubes – Max Run = 154 in. (3912 mm)        |  |

### 4a Extension Tube Options (Leave blank if not desired)

- |   |                                   |
|---|-----------------------------------|
| <b>A1</b> One 0-90 Degree Extension Tube (Angle Adapter)  | <b>E</b> Wire Suspension Kit      |
| <b>A2</b> Two 0-90 Degree Extension Tubes (Angle Adapter) | <b>SCG</b> Severe Climate Glazing |

## Delivery Zone

### 5 Bottom Assembly

- TM** Transition Box Metal

### 6 Diffusers/Decorative Fixtures

- L9** JustFrost  
Decorative  
Fixture



### 6a Effect Lenses

- LN** Natural Effect Lens

### 6b Options (Leave blank if not desired)

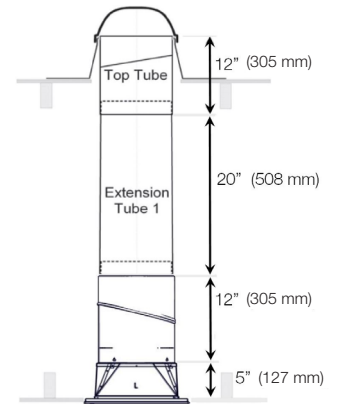
- |  |                                     |
|--|-------------------------------------|
| <b>INC</b> Universal Light Add-On Kit with Medium Screw Base<br>(Accepts one 23W Maximum LED, or Fluorescent Lamp, Medium Base, Total Maximum Length 4 3/4 in. (120 mm)-Not Included) 110V | <b>D1</b> 0-10V Daylight Dimmer     |
|  | <b>TIP</b> Thermal Insulation Panel |

### 7 Measurement Standard

- M** Metric      **I** Imperial

### Accessories (Order separately.)

- S1** Low voltage 0-10V switch (white) required to operate Solatube 0-10V Daylight Dimmers. Only one switch per forty-eight (48) synchronously controlled dimmers. (For 'D1' only) Note: For use when no controls have been specified and customer is looking for an off-the-shelf solution.
- TR20** UL Listed Class 2 Transformer 24 VAC, Rated 20 VA (For 'D1' only)
- TR96** UL Listed Class 2 Transformer 24 VAC, Rated 96 VA (For 'D1' only)



### Example

#### S160DS-DA-F6-E3-TM-L9 LN INC D-I

Brighten Up® Series Solatube 160 DS (10 in./250 mm Daylighting System), Acrylic Dome, 6 in. (152 mm) high Flat/No Pitch Self Mounted Flashing, 3 Extension Tubes, Transition Box Metal, Just Frost Decorative Fixture, Natural Effect Lens, Daylight Dimmer and Universal Light Add-On Kit. For imperial installations.