



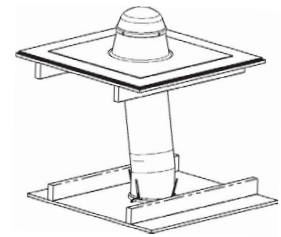
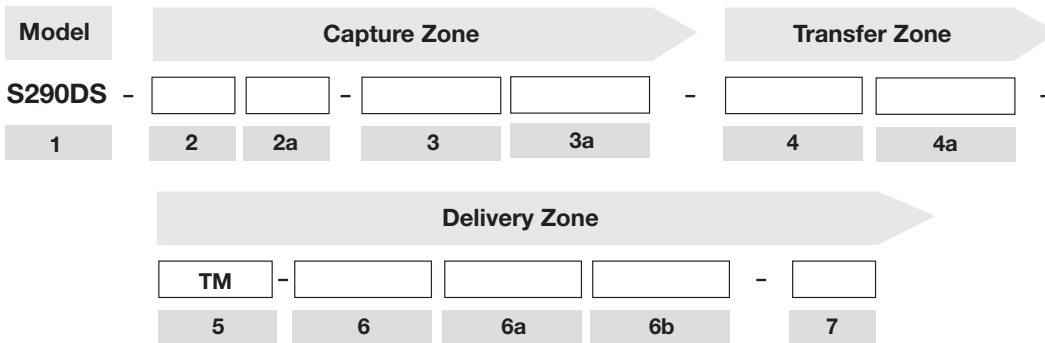
# Model: Solatube 290 DS Square (14 in./350 mm Daylighting System )

Project: \_\_\_\_\_

Location: \_\_\_\_\_

Type: \_\_\_\_\_

Product Specifications Appear in CSI Division 08, Section 08 62 23. For budgeting and quotations use only. Qty: \_\_\_\_\_



## 1 Model

**290 DS Brighten Up®** Solatube 290 DS (14 in./350 mm Daylighting System)

## Capture Zone







### 2 Domes (Leave blank if not desired)

**DA** Acrylic Dome      **DAI** Acrylic Dome + Shock Inner Dome (Acrylic)  
Required for High Velocity Hurricane Zones

### 2a Dome Options (Leave blank if not desired)

**PB** Dome Edge Protection Band      **FG** Rooftop Fire Glazing  
Required for High Fire Zones

## 3 Flashings

<p><b>FP</b> 4 in. (102 mm) Pitched Metal, Self Mounted</p> 	<p><b>FT</b> 4 in. (102 mm) Tile Roof, No Pitch Metal Flashing</p> 	<p><b>C14**</b> Metal Insulated Curb 26-1/2in. x 26-1/2 in. x 14 in. (673 mm x 673 mm x 355.5 mm)</p> 
<p><b>FPT</b> 4 in. (102 mm) Tile Roof, Pitched Metal Flashing</p> 	<p><b>F6</b> 6 in. (152 mm) Flat/No Pitch Metal, Self Mounted</p> 	<p><b>C16**</b> Metal Insulated Curb 26-1/2in. x 26-1/2 in. x 16 in. (673 mm x 673 mm x 406.5 mm)</p> 
<p><b>F1.5</b> 1.5-inch (38 mm) Flat/No Pitch Metal, Self Mounted</p> 	<p><b>FC</b> Curb Cap (curb by others)</p> 	<p><b>C20**</b> Metal Insulated Curb 26-1/2in. x 26-1/2 in. x 20 in. (673 mm x 673 mm x 508 mm)</p> 
<p><b>F4</b> 4 in. (102 mm) Self Mounted</p> 	<p><b>C12**</b> Metal Insulated Curb 26-1/2in. x 26-1/2 in. x 12 in. (673 mm x 673 mm x 305 mm)</p> 	<p><b>CXX**</b> Metal Insulated Curb 26-1/2in. x 26-1/2 in. x XX in. (673 mm x 673 mm x XX mm) XX: Custom curb height determined by bidding contractor</p> 

\*\* Only product that is FM approved. Must use Dome Polycarbonate (DP). It is required that a dome Edge Protection Band (PB) is used with FM approved flashings and (F8 & F11). The Dome Edge Protection Band for the Curb Cap (PBC) must be used with FM approved Curb Cap (FC).

\*\* Curbs designed for single-ply roofing, lightweight fill or tapered insulation low slope roof types.

### 3a Flashing Options (Leave blank if not desired)

- |  |   |
|--|---|
| <b>T2*</b> Roof Flashing Turret Extension 2 in. (51 mm)    | <b>T48*</b> Roof Flashing Turret Extension 48 in. (1219 mm) |
| <b>T4*</b> Roof Flashing Turret Extension 4 in. (102 mm)   | <b>FI</b> Flashing Insulator                                |
| <b>T12*</b> Roof Flashing Turret Extension 12 in. (305 mm) | <b>MR</b> Metal Roof Installation Kit                       |
| <b>T24*</b> Roof Flashing Turret Extension 24 in. (610 mm) | <b>CCI</b> Curb Cap Insulation                              |
| <b>T36*</b> Roof Flashing Turret Extension 36 in. (914 mm) |   |

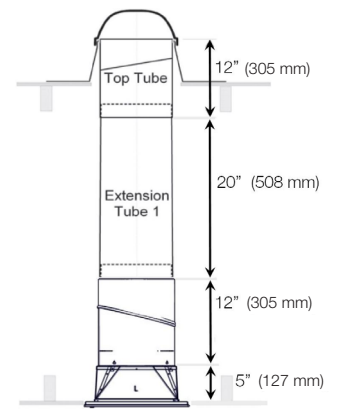
\* Specify additional extension tubes in #4

## Transfer Zone

### 4 Extension Tubes Required

Run measured from top of roof deck to bottom of ceiling plane along centerline of tubing.

- |  |  |
|--|--|
| <b>E0</b> Base Kit, No Extension Tubes – Max Run = 22 in. (559 mm) | <b>E7</b> Seven Extension Tubes – Max Run = 176 in. (4470 mm)      |
| <b>E1</b> One Extension Tube – Max Run = 44 in. (1118 mm)          | <b>E8</b> Eight Extension Tubes – Max Run = 198 in. (5029 mm)      |
| <b>E2</b> Two Extension Tubes – Max Run = 66 in. (1676 mm)         | <b>E9</b> Nine Extension Tubes – Max Run = 220 in. (5588 mm)       |
| <b>E3</b> Three Extension Tubes – Max Run = 88 in. (2235 mm)       | <b>E10</b> Ten Extension Tubes – Max Run = 242 in. (6147 mm)       |
| <b>E4</b> Four Extension Tubes – Max Run = 110 in. (2794 mm)       | <b>EXX</b> Total Run Length to be Determined by Bidding Contractor |
| <b>E5</b> Five Extension Tubes – Max Run = 132 in. (3353 mm)       |  |
| <b>E6</b> Six Extension Tubes – Max Run = 154 in. (3912 mm)        |  |



### 4a Extension Tube Options (Leave blank if not desired)


- |   |                                   |
|---|-----------------------------------|
| <b>A1</b> One 0-90 Degree Extension Tube (Angle Adapter)  | <b>E</b> Wire Suspension Kit      |
| <b>A2</b> Two 0-90 Degree Extension Tubes (Angle Adapter) | <b>SCG</b> Severe Climate Glazing |

## Delivery Zone

### 5 Bottom Assembly

- TM** Transition Box Metal

### 6 Diffusers/Decorative Fixtures

- L9** JustFrost Decorative Fixture 

### 6a Effect Lenses

- LN** Natural Effect Lens

### 6b Options (Leave blank if not desired)

- |  |   |
|--|---|
| <b>INC</b> Universal Light Add-On Kit with Medium Screw Base (Accepts two 23W Maximum LED, or Fluorescent Lamp, Medium Base, Total Maximum Length 4 3/4 in. (120 mm) -Not Included) 110V | <b>D1</b> 0-10V Daylight Dimmer         |
|  | <b>LED</b> 25W 100-277V, 0.31A, 50/60Hz |
|  | <b>TIP</b> Thermal Insulation Panel     |

### 7 Measurement Standard

- M** Metric      **I** Imperial

## Accessories (Order separately.)

- S1** Low voltage 0-10V switch (white) required to operate Solatube 0-10V Daylight Dimmers. Only one switch per forty-eight (48) synchronously controlled dimmers. (For 'D1' only) Note: For use when no controls have been specified and customer is looking for an off-the-shelf solution.
- TR20** UL Listed Class 2 Transformer 24 VAC, Rated 20 VA (For 'D1' only)
- TR96** UL Listed Class 2 Transformer 24 VAC, Rated 96 VA (For 'D1' only)

## Example

### S290DS-DA-F6-E4-TM-L9 LN INC D-I

Brighten Up® Series Solatube 290 DS (14 in./350 mm Daylighting System), Acrylic Dome, 6 in. (152 mm) high Flat/No Pitch Self Mounted Flashing, 4 Extension Tubes, Transition Box Metal, Just Frost Decorative Fixture, Natural Effect Lens, Daylight Dimmer and Universal Light Add-On Kit. For imperial installations.